



Mini Vibrating Probe Switch

Theory of Operation

Mini Vibrating Probe Switch operates by using Piezoelectric elements built inside the fork that exhibit resonance frequency signal in exchange. Resonance frequency happens when tank is empty. The frequency of the fork decreases/stops when being immersed; thereafter converted into switching command.



Product Character

- Small dimension, less space required
- Stainless steel SUS304 housing with SUS316 fork
- Wide range of power supply 20-250Vac, 12-55Vdc
- LED working status indication
- 1" connection
- Measuring density of 0.7 g/m³

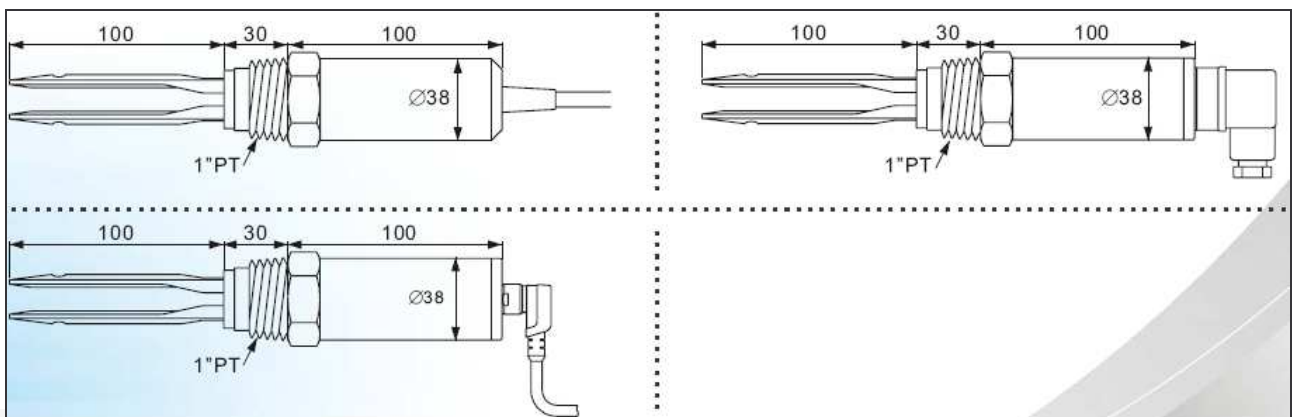
Product Character

- Low cost
- Easy installation
- Easy connectivity with PLC or IPC
- Offers magnetic testing to diagnose proper functioning
- Operation temperature up to 150°C

Product application

- Level protection
- Pump protection
- High liquid level warning
- Leakage detection
- Motor control

Product Character





Product Specification

Supply Voltage	20~250 · 50/60 Hz Vac / Vdc
	12~55 Vdc
Fork Length	100mm
Ambient Temperature	-10~60°C
Storage Temperature	-10~70°C
Operation Temperature	-10~+150°C
Operation Humidity	20%~80% RH non-condensed
Operation Pressure	Maximum 40 Bar
Material density	Density: $\geq 0.7 \text{ g/cm}^3$
	Viscosity: 1~10000 cSt
Output	2 wire (Voltage at terminals 20~250 Vac/dc)
	PNP / NPN
Magnetic testing	Output function test performed by putting magnets near the indicated spot
Status indication	Green light: indicate power supply
	Red light: indicate operating mode
Housing material	SUS 304
Fork Material	316L
IP Protection	IP65 / IP67
Connection	1" PT
Conduit	Valve plug DIN 43650
	Cable connector



Order Code

SC 24 0 (T) -

Power supply & Output

0: 20~250Vac / Vdc 2 wire Direct load Switching.
1: 12~55 Vdc 3 wire PNP/ NPN MOSFET Output.

Material

0: SUS304, 6: SUS316, L: SUS316L

Model

0: Standard
(High temp. 150°C)

Electrical connection

D: Valve plug DIN43650

Connection

D---1"(25A)	E---1-1/2"(40A)	F---2"(50A)	M---5kg/cm ²	N---10kg/cm ²	O---150 Lbs
G---2-1/2"(65A)	H---3"(80A)	I---4"(100A)	P---300 Lbs	Q---PT	R---PF(G)
J---5"(125A)	K---6"(150A)	S---Special	T---BSP	U---NPT	W---PN10
			X---PN16	Y---PN25	Z---PN40
			S---Special		

Application/Installation

