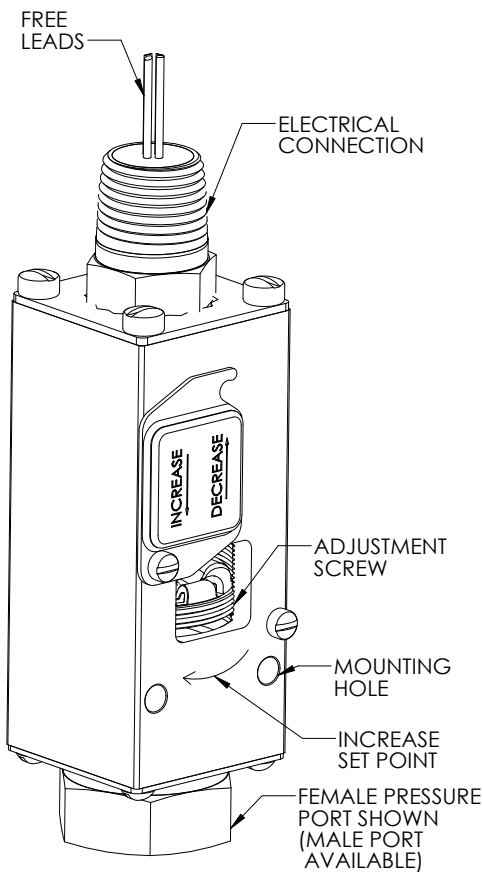
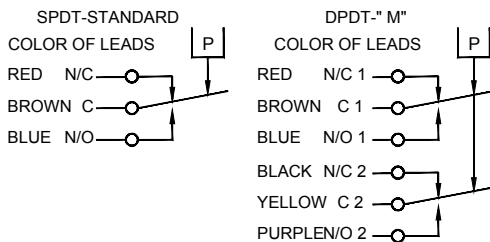


Installation & Maintenance Instructions

Switch Model 6900G* & 6900P*, non explosion-proof series



SCHEMATIC AND WIRING CODE



NAMEPLATE ELECTRICAL RATING

11 AMP RATING	11 AMPS 1/4 HP 125, 250 VAC 5 AMPS 30 VDC; 0.5 A 125 VDC
5 AMP RATING	5 AMPS 125, 250 VAC; 5 AMPS 30 VDC
1 AMP RATING	1 AMP 125 VAC; 1 AMP 30 VDC GOLD CONTACTS

The CCS non explosion-proof switches are designed to provide long life and maintain excellent set-point accuracy under adverse environmental conditions.

Check nameplate on the switch for maximum proof (overpressure) limits. If you have any questions, please contact CCS sales department or CCS authorized sales representatives.

GENERAL:

- a. Observe all Warnings and Cautions contained on the attached Warning Sticker, the Warning Declaration and the CCS catalog.
- b. Follow all applicable governmental or other codes or regulations.
- c. Special conditions for safe use: The integral free lead wires or cable shall be mechanically protected and terminated in a suitable junction or terminal facility.
- d. If the field wiring is terminated in an explosive atmosphere, then a suitability certified termination facility shall be used.

MOUNTING:

- a. Units may be mounted in any position on a flat surface using (2) mounting holes provided and M5 screws at least 50 mm. long.

WARNING: RELEASE ALL PRESSURE PRIOR TO INSTALLATION OR REMOVAL OF THIS DEVICE. DO NOT EXCEED NAMEPLATE LISTED PROOF PRESSURES.

- a. Most units are supplied with female NPT ports suitable for connection to NPT pipe nipples or NPT taper threaded pipe with max. installation torque of 12 ft. lb. CCS recommends use of either a union or bendable tubing. This will eliminate excessive strain on the housing. Avoid excessive torque on all threaded connections.
- b. Pipe joint sealing compound is preferred over Teflon tape. However, either method of sealing is acceptable with proper care to avoid introducing sealing material into pressure switch or plumbing.

ELECTRICAL CONNECTIONS:

WARNING: DO NOT MAKE ELECTRICAL CONNECTIONS WHILE ELECTRICAL POWER IS ON. THIS PRODUCT MUST BE INSTALLED BY A QUALIFIED ELECTRICIAN TO AVOID RISK OF ELECTROCUTION.

- a. Electrical conductors are provided within a male conduit connection.
- b. When making wire connections disconnect electrical power. Check for multiple circuits.
- c. Make electrical connections in accordance with NEC and all appropriate codes and regulations. Conduit enclosure shall be wrenchtight or 12 ft. lb. max. torque applied. Keep as much wire as possible for a service loop to facilitate service, see wiring diagrams.
- d. Proper grounding must be accomplished by use of ground wire as provided. It is the responsibility of the user to ensure proper and effective arrangements are made for earth fault protection and equi-potential bonding functions or some other equally effective method.
- e. The Terminal Box Kit option is available, see selection guide on CCS website.

ADJUSTMENT:

Pressure settings are externally adjustable. (Not applicable if units are factory set)

- a. If the electrical circuit cannot be used for testing, disconnect electrical power and use a suitable circuit tester or light box. Loosen access cover and turn adjustment screw using screwdriver slot as illustrated; turn clockwise to increase settings and/or turn counterclockwise to decrease setting.
- b. Re-tighten access cover.
- c. Reconnect electrical circuit, 12 ft. lb. max.
- d. Return power to unit.

WARNING DECLARATION

If this switch is used to protect equipment or personnel from unsafe pressure or to guard against the hazardous release of contained substances it must be installed and operated in accordance with applicable codes, regulations and standards. This switch must be used in conjunction with system design(s) or procedure(s) necessary to mitigate any hazard resulting from its failure. Conform to installation instructions accompanying this switch. Individuals who ignore this warning may suffer serious or fatal injury and do so at their own risk. Custom Control Sensors is not liable for any misuse, abuse, suitability or adequacy of user's application of the switch. Service by qualified personnel only.

FOR SERVICE OR ORDERING INFORMATION

Consult factory or authorized factory representative. Specify full catalog part number (with optional modification) and factory set-point.

WARRANTY

All CCS products and services are sold subject to: "CCS standard terms and conditions of sale".

Custom Control Sensors, Inc

21111 Plummer Street
Chatsworth, CA 91311

Tel: (818) 341-4610 • Fax: (818) 709-0426

<http://www.ccsdualsnap.com>