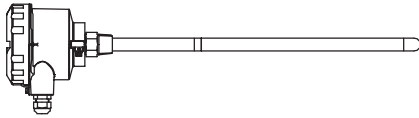


## Table of content

---

	Page
Overview	2
-----	
NC 8100	4
	
-----	
Options/ Accessories	6
Dimensions	7
Detailed Ex-markings	10
Electrical installation	11
Spare parts	12

Subject to change.

All dimensions in mm (inches).

All prices in Euro (€) or USD (\$),  
excluding VAT.

All EURO prices are EXW Betzigau,  
all USD prices are EXW Memphis,  
excluding packaging costs.

Valid: From 01.01.2022 until 31.12.2022, unless otherwise agreed.

By publishing this selection list all other lists become invalid.

We assume no liability for typing errors.

Different variations to those specified are possible.  
Please contact our technical consultants.

## Overview

- Continuous level measurement in liquids, slurries and solids. Performs viscous materials (conductive or nonconductive), even in challenging environments involving vapour and dust.
- Compact unit
- Wide range of applications
- No maintenance
- Rod and rope versions
- High pressure and temperature
- High chemical resistance on probes
- RF technology with active shield
- Sensitivity: dielectric constant  $\geq 1.5$
- 2-wire 4 - 20 mA electronics
- Integrated Local User Interface
- Self diagnostics
- Multiple approvals available
- 2011/65/EU RoHS conform

Approvals	CE		
	ATEX/ INMETRO	Zone 0/1	Flameproof
		Zone 20/21	Dust Ignition Proof
	FM/ CSA	General purp.	
		Cl. I Div. 1	Explosionproof
		Cl. II, III Div. 1	Dust Ignition Proof
	TR-CU	Ordinary Locations	
		Zone 0/1	Flameproof
		Zone 20/21	Dust Ignition Proof
		KC	Flameproof, Dust Ignition Proof
	Lloyds	Categories ENV1, ENV2, ENV3 and ENV5	

Electronics	Supply voltage	12 .. 30 V DC, 2-wire current loop
	Measurement signal	Current loop 4 - 20 mA or 20 - 4 mA according to NAMUR NE 43
	Measurement range	1.66 .. 3,300 pF
	User interface	7 segment LCD display, displays the actual measurement in pF Pushbuttons and rotary switch
	Settings	Upper and lower measurement range Output delay (damping) Loop current
	Diagnostics	Over- and Under Range Internal electronic self check

Housing	Material	Aluminium, powder-coated
	Ingress protection	Type 4/ NEMA 4/ IP68 <sup>(1)</sup>
	Temperature extended shaft	1.4404 (SS316L), option
	Ambient temperature	-40 .. 85°C (-40 .. 185°F) With Ex-Certificate ATEX, INMETRO, TR-CU, KC: -40 .. 80°C (-40 .. 176°F)

<sup>(1)</sup> For version with plug the type of protection can be lower (see pos.35).

## Overview

Mechanics and Process	Length of extension "L"	Rod Rope	300 .. 5,000 mm (11.81 .. 196.9") 1,000 .. 25,000 mm (39.37 .. 984.3")
	Diameter of rod/ rope	Rod Rope	ø19 mm (ø0.75") ø6 mm (ø0.3")
	Materials	Rod version Rope version Process connection Probe Isolators Wetted seals	Probe and active shield 1.4404 (SS316L), PFA coated Probe (rope) 1.4404 (SS316L), Optional PFA coated (for conductive media) Active shield 1.4404 (SS316L), PFA coated 1.4404 (SS316L) PEEK FKM or FFKM
	Process temperature		Without temperature extended shaft: -40 .. 85°C (-40 .. 185°F) With temperature extended shaft: -40 .. 200°C (-40 .. 392°F)
	Process pressure		-1 .. 35 bar g (-14.6 .. 511 psi g) nominal Observe Pressure versus Temperature Curves
	Tensile load/ torque	Rope Rod	max. 18.5 kN max. 30 Nm (horizontal load)

Rod version



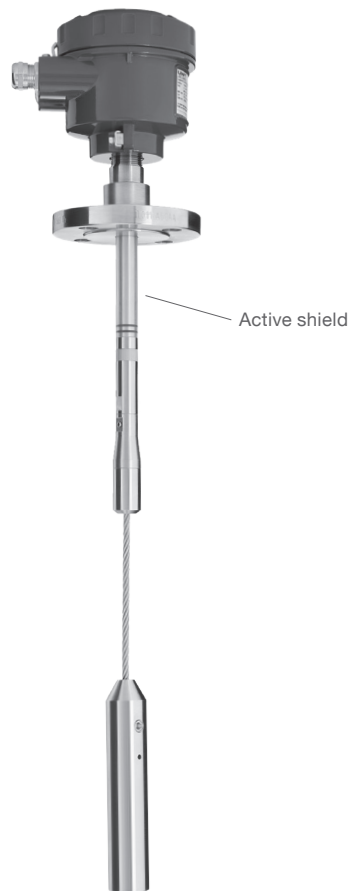
Rope version



## NC 8100



Rod version  
 (pos.5/6 0A and 8 Y)



Rope version  
 (pos.5/6 5D and 8 Z)

### Cable entries (by default)

Depending on model selected, the following cable entries are supported (options see pos.33 on page 6):

Version:	Cable entries:
Flameproof (pos.2 T,L,5)	M20 x 1.5 (1x open conduit + 1x blind plug)
FM/ CSA (pos.2 M,U,N)	NPT 1/2" tapered ANSI B1.20.1 (1x open conduit + 1x blind plug)
All other versions	M20 x 1.5 (1x screwed cable gland + 1x blind plug)

**Dimensions** see pages 7 - 10

## Basic type

### NC 8100

pos.2

#### Certificate (detailed Ex-markings: see page 10)

	Gas	Dust	Protection method
0	CE <sup>(2)</sup>	-	-
Q	CE/ FM/ CSA <sup>(1,2)</sup>	-	General purpose
T	ATEX <sup>(2)</sup>	Zone 0/1	Zone 20/21 Flameproof, Dust Ignition Proof
W	ATEX <sup>(2)</sup>	-	Zone 20/21 Dust Ignition Proof
M	FM/ CSA <sup>(2)</sup>	-	- General purpose
U	FM/ CSA <sup>(2)</sup>	Cl. I Div. 1	Cl. II, III Div. 1 Explosion Proof, Dust Ignition Proof
N	FM/ CSA <sup>(2)</sup>	-	Cl. II, III Div. 1 Dust Ignition Proof
L	TR-CU <sup>(2)</sup>	Zone 0/1	Zone 20/21 Flameproof, Dust Ignition Proof
E	TR-CU <sup>(2)</sup>	-	Zone 20/21 Dust Ignition Proof
5	Further <sup>(2,3)</sup>	Zone 0/1	Zone 20/21 Flameproof, Dust Ignition Proof
2	Further <sup>(2,3)</sup>	-	Zone 20/21 Dust Ignition Proof

pos.3

#### Temperature extended shaft

1	without (for process temperature <85°C (185°F))
2	with (for process temperature >85°C (185°F))

pos.4

#### Electronic module

A	2-wire 4 - 20 mA
---	------------------

## NC 8100

pos.5+6

### Process connection

0A	Thread ¾" NPT	taper, ANSI/ ASME B1.20.1 (4)	.....	•
0B	Thread 1" NPT	taper, ANSI/ ASME B1.20.1 (4)	.....	•
0C	Thread 1¼" NPT	taper, ANSI/ ASME B1.20.1	.....	•
0D	Thread 1½" NPT	taper, ANSI/ ASME B1.20.1	.....	•
1A	Thread R ¾"	BSPT, EN 10226/ PT (JIS-T), JIS B 0203 (4)	.....	•
1B	Thread R 1"	BSPT, EN 10226/ PT (JIS-T), JIS B 0203 (4)	.....	•
1D	Thread R 1½"	BSPT, EN 10226/ PT (JIS-T), JIS B 0203	.....	•
3A	Thread G ¾"	BSPP, EN ISO 228-1/ PF (JIS-P), JIS B 0202 (4)	.....	•
3B	Thread G 1"	BSPP, EN ISO 228-1/ PF (JIS-P), JIS B 0202 (4)	.....	•
3D	Thread G 1½"	BSPP, EN ISO 228-1/ PF (JIS-P), JIS B 0202	.....	•
5A	Flange 1" 150 lbs	ASME B16.5, raised face (4)	.....	•
5B	Flange 1" 300 lbs	ASME B16.5, raised face (4)	.....	•
5C	Flange 1" 600 lbs	ASME B16.5, raised face (4)	.....	•
5D	Flange 1½" 150 lbs	ASME B16.5, raised face	.....	•
5E	Flange 1½" 300 lbs	ASME B16.5, raised face	.....	•
5F	Flange 1½" 600 lbs	ASME B16.5, raised face	.....	•
5G	Flange 2" 150 lbs	ASME B16.5, raised face	.....	•
5H	Flange 2" 300 lbs	ASME B16.5, raised face	.....	•
5J	Flange 2" 600 lbs	ASME B16.5, raised face	.....	•
5K	Flange 3" 150 lbs	ASME B16.5, raised face	.....	•
5L	Flange 3" 300 lbs	ASME B16.5, raised face	.....	•
5M	Flange 3" 600 lbs	ASME B16.5, raised face	.....	•
5N	Flange 4" 150 lbs	ASME B16.5, raised face	.....	•
5P	Flange 4" 300 lbs	ASME B16.5, raised face	.....	•
5Q	Flange 4" 600 lbs	ASME B16.5, raised face	.....	•
6A	Flange DN25, PN16	EN 1092-1 type A flat faced (4)	.....	•
6B	Flange DN25, PN40	EN 1092-1 type A flat faced (4)	.....	•
6C	Flange DN40, PN16	EN 1092-1 type A flat faced	.....	•
6D	Flange DN40, PN40	EN 1092-1 type A flat faced	.....	•
6E	Flange DN50, PN16	EN 1092-1 type A flat faced	.....	•
6F	Flange DN50, PN40	EN 1092-1 type A flat faced	.....	•
6G	Flange DN80, PN16	EN 1092-1 type A flat faced	.....	•
6H	Flange DN80, PN40	EN 1092-1 type A flat faced	.....	•
6J	Flange DN100, PN16	EN 1092-1 type A flat faced	.....	•
6K	Flange DN100, PN40	EN 1092-1 type A flat faced	.....	•

pos.8

### Length of extension "L"

Y	Rod, "L"= customer specified			
	Price per 100 mm (3.94") of part thereof (starting from 0 mm)	.....	•	
	min. 300 mm (11.81"), max. 5,000 mm (196.9")			
Z	Rope, "L"= customer specified			
	Base price	.....	•	•
	Price per 100 mm (3.94") of part thereof (starting from 0 mm)	.....	•	•
	min. 1,000 mm (39.37"), max. 25,000 mm (984.3") (5)			

pos.9

### Material of process connection and extension "L"

2	Rod version: 1.4404 (SS316L), rod PFA coated (6)	.....	↑	
	Rope version: 1.4404 (SS316L), rope not PFA coated (7)	.....		
3	Rope version: 1.4404 (SS316L), rope PFA coated (8)	.....	↑	

**Further options:** see page 6

(1) Included is: TR-CU (Ordinary Locations).

(2) Included is: Lloyds.

(3) Local certificates see option 20/ page 6.

(4) Not available with rope version (pos.8 Z).

(5) "L">15,000 mm (591") available for application in non conductive media.

(6) Probe and active shield are throughout PFA coated.

(7) Applicable for isolating (non conductive) media only. Active shield is PFA coated.

(8) Available with rope version (pos.8 Z). Applicable for conductive and non conductive media. Active shield is PFA coated.

NC 8100	A				1			
Position	1	2	3	4	5+6	7	8	9

**L =**  ← **Order code**

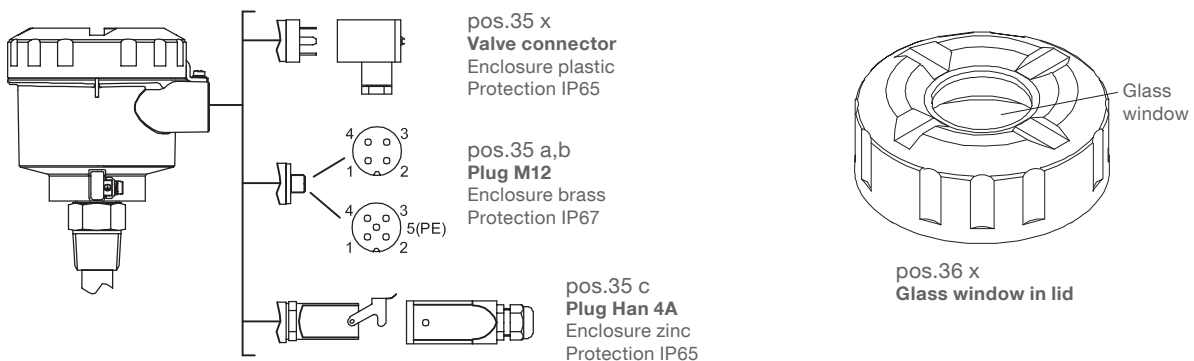
All positions are available with special design (use code "Z").

## Options/ Accessories

### Options

pos.11 x	<b>Guarantee extension to 5 years</b> .....	•
pos.17 x	<b>FFKM wetted seals</b> <sup>(1)</sup> .....	•
pos.18 x	<b>Mounting eye</b> <sup>(2)</sup> .....	•
	<b>Local certificates:</b>	
	<b>Certificate</b> (Zone and type of protection acc. to selection in pos.2 5 to pos.2 2)	
pos.20 a	INMETRO .....	•
pos.20 b	KC .....	•
	<b>Cable entry</b>	
	Selection of the following options only necessary, if a deviation from default is required:	
pos.33 x	M20 x 1.5 2x screwed cable gland <sup>(3)</sup> .....	•
pos.33 e	M20 x 1.5 1x screwed cable gland +1x blind plug <sup>(4)</sup> .....	•
pos.33 a	NPT 1/2" tapered ANSI B1.20.1 (1x conduit + 1x blind plug) <sup>(5)</sup> .....	•
	<b>Plug</b> <sup>(6, 7)</sup>	
pos.35 x	Valve connector (incl. mating plug) 4-pole (incl. PE) .....	•
pos.35 a	M12 (without mating plug) 4-pole .....	•
pos.35 b	M12 (without mating plug) 5-pole (incl. PE) .....	•
pos.35 c	Harting Han 4A (incl. mating plug) 5-pole (incl. PE) .....	•
pos.36 x	<b>Glass window in lid</b> <sup>(8)</sup> .....	•
	<b>Declaration, Certificate, Testreport</b> <sup>(9)</sup>	
CA	Declaration of compliance with the order, EN 10204 clause 2.1 .....	•
CB	Test report, EN 10204 clause 2.2 .....	•
CC	Inspection certificate, EN 10204 clause 3.1, material wetted parts .....	•
	<b>Marking</b>	
DA	Stainless steel tag (Measuring point number / identification, max. 27 char.) .....	•

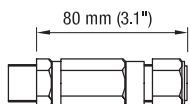
- (1) Process temperature limited to -20°C (-4°F), not with FM/CSA General Purpose (pos.2 Q,M) and FM/CSA Dust Ignition Proof (Pos.2 N).  
 (2) Available for rope version with PFA coated rope (pos.8 Z with pos.9 3). See drawing on page 9.  
 (3) Available for all versions except flameproof/ explosion proof version (pos.2 T,U,L,5).  
 (4) Available for FM/ CSA version (pos.2 M,N) except explosion proof version (pos.2 U).  
 (5) Available for all versions except FM/ CSA (pos.2 M,U,N).  
 (6) Available for CE (pos.2 0). Not in combination with cable entries pos.33 x,e, a. Connection of plug wires to internal terminals according to customer specification.  
 (7) Not available with certificate Lloyds.  
 (8) Available for CE, ATEX, TR-CU, INMETRO and KC (pos.2 0,W,T,L,E,5,2).  
 (9) The documents are enclosed with the delivered goods.



### Accessories

Minimum order value for separate orders of spare parts or accessories is 75 €.

em440041	Cable gland M20 x 1.5 Ex-d .....	•
----------	----------------------------------	---



For use with version  
 Flameproof ATEX, TR-CU (pos.2 T,L).  
 Type: Stahl T3CDS 246560

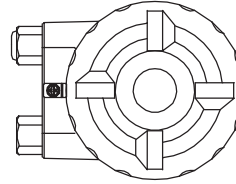
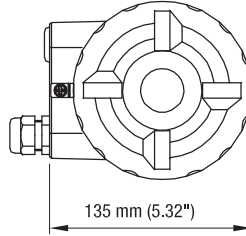
## Dimensions

### Enclosure

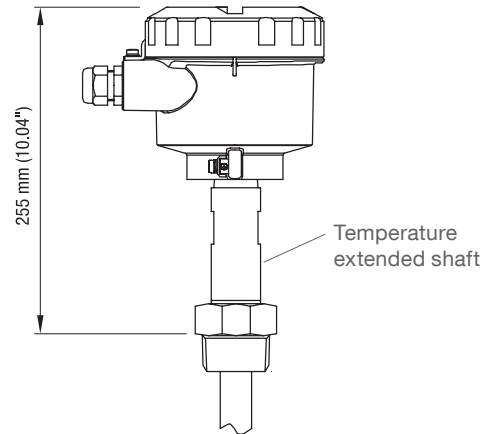
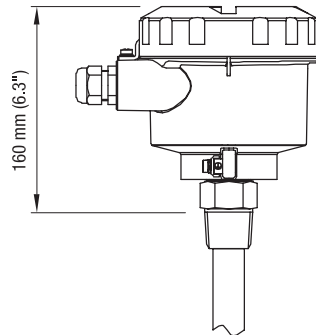
#### Top view

M20 x 1.5 cable gland

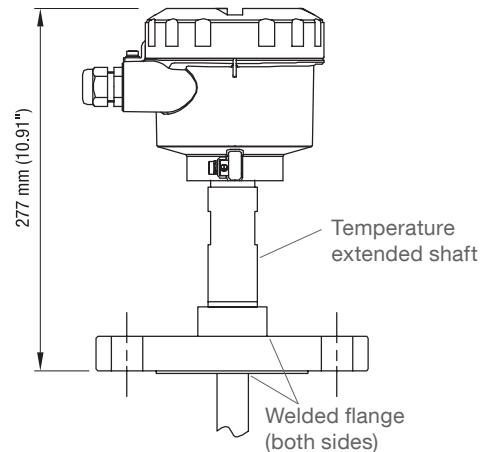
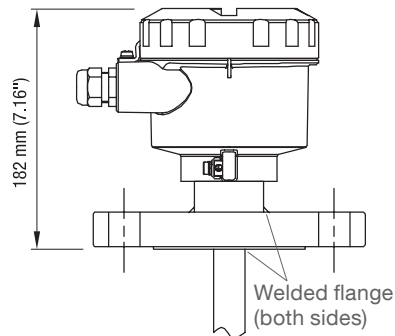
NPT 1/2" conduit



#### Threaded process connection



#### Flanged process connection



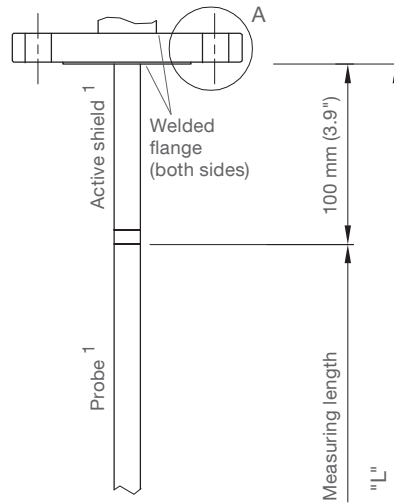
## Dimensions

### Rod version

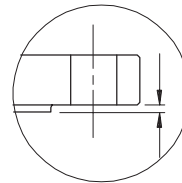
Threaded process connection



Flanged process connection



Detail "A"



"L" does not include any raised face (see page 10)

<sup>1</sup> Active shield and probe is PFA coated



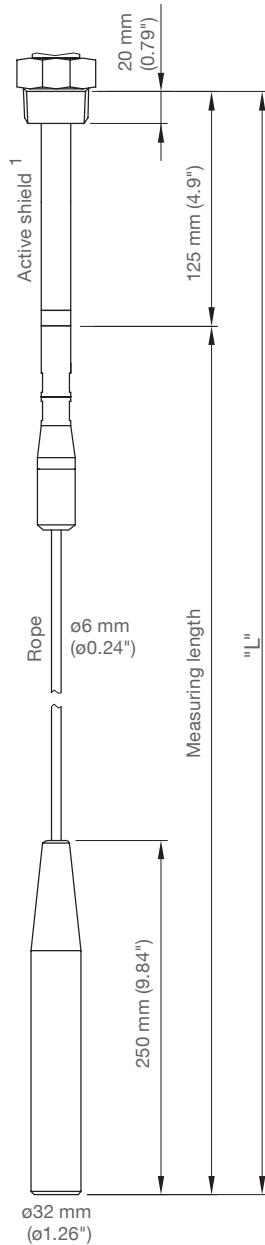
## Dimensions

### Rope version

Rope not PFA coated

Applicable for isolating (non conductive) media only

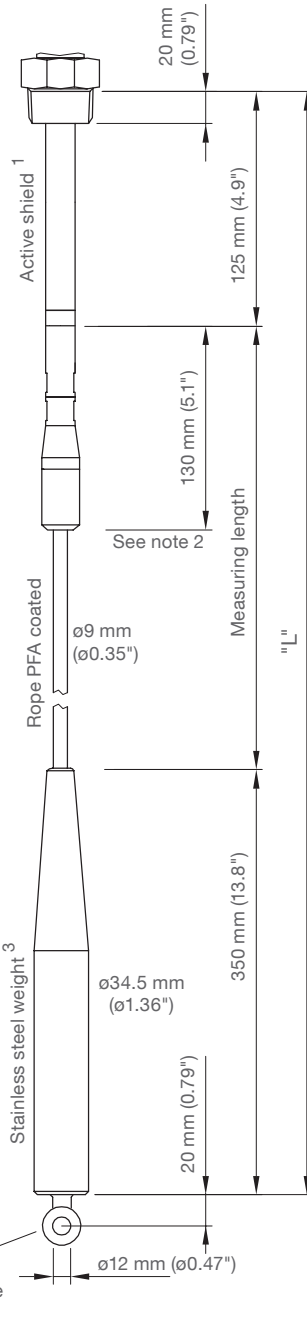
Threaded process connection



Applicable for isolating (non conductive) media only.

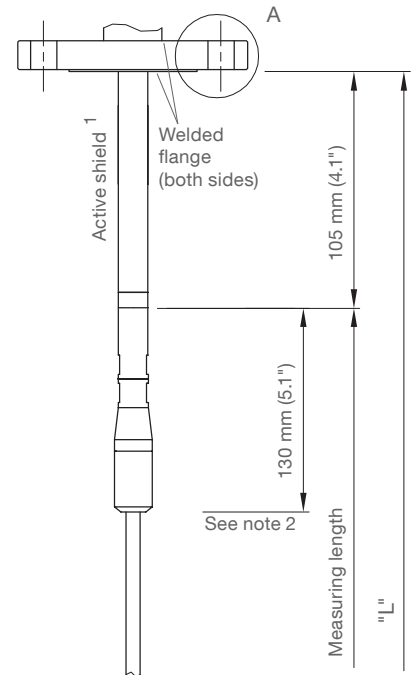
Rope PFA coated

Threaded process connection



Mounting eye (option)

Flanged process connection



Detail "A"  
 "L" does not include any raised face (see page 10)

<sup>1</sup> Active shield is PFA coated

<sup>2</sup> For version with PFA coated rope:

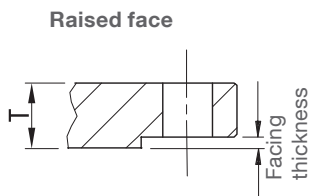
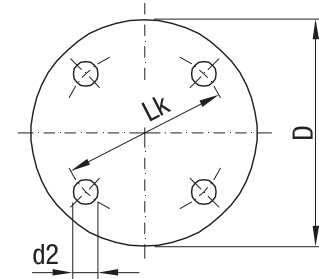
For conductive materials, the measuring length includes the exposed PFA coated rope only. Any fluid contact with the upper rod assembly (level above PFA rope) will result in a short circuit and incorrect readings.

<sup>3</sup> Weight is electrically isolated from rope, but not PFA coated

## Dimensions/ Detailed Ex-markings

### Flanges

	Code	Type	Number of holes	d2 mm (inch)	Lk mm (inch)	D mm (inch)	T thickness mm (inch)
ASME B16.5, raised face	5A	1" 150 lbs	4	15.9 (0.63")	79.3 (3.12")	108.0 (4.25")	14.3 (0.56")
	5B	1" 300 lbs	4	19.1 (0.75")	88.9 (3.5")	123.8 (4.87")	17.5 (0.69")
	5C	1" 600 lbs	4	19.1 (0.75")	88.9 (3.5")	123.8 (4.87")	17.5 (0.69")
	5D	1½" 150 lbs	4	15.9 (0.63")	98.6 (3.88")	127.0 (5.0")	17.5 (0.69")
	5E	1½" 300 lbs	4	22.2 (0.87")	114.3 (4.5")	155.6 (6.13")	20.6 (0.81")
	5F	1½" 600 lbs	4	22.2 (0.87")	114.3 (4.5")	155.6 (6.13")	22.4 (0.88")
	5G	2" 150 lbs	4	19.1 (0.75")	120.7 (4.75")	152.4 (6.01")	19.1 (0.75")
	5H	2" 300 lbs	8	19.1 (0.75")	127.0 (5.0")	165.1 (6.5")	22.2 (0.87")
	5J	2" 600 lbs	8	19.1 (0.75")	127.0 (5.0")	165.1 (6.5")	25.4 (1.0")
	5K	3" 150 lbs	4	19.1 (0.75")	152.4 (6.01")	190.5 (7.5")	23.9 (0.94")
	5L	3" 300 lbs	8	22.2 (0.87")	168.2 (6.62")	209.6 (8.25")	28.6 (1.13")
	5M	3" 600 lbs	8	22.2 (0.87")	168.2 (6.62")	209.6 (8.25")	31.7 (1.25")
	5N	4" 150 lbs	8	19.1 (0.75")	190.5 (7.5")	228.6 (9.0")	23.9 (0.94")
	5P	4" 300 lbs	8	22.2 (0.87")	200.0 (7.87")	254.0 (10.0")	31.7 (1.25")
5Q	4" 600 lbs	8	25.4 (1.0")	215.9 (8.5")	273.1 (10.75")	38.1 (1.5")	
EN 1092-1 type A, flat faced	6A	DN25 PN16	4	14.0 (0.55")	85.0 (3.35")	115.0 (4.53")	18.0 (0.71")
	6B	DN25 PN40	4	14.0 (0.55")	85.0 (3.35")	115.0 (4.53")	18.0 (0.71")
	6C	DN40 PN16	4	18.0 (0.71")	110.0 (4.33")	150.0 (5.91")	18.0 (0.71")
	6D	DN40 PN40	4	18.0 (0.71")	110.0 (4.33")	150.0 (5.91")	18.0 (0.71")
	6E	DN50 PN16	4	18.0 (0.71")	125.0 (4.92")	165.0 (6.5")	18.0 (0.71")
	6F	DN50 PN40	4	18.0 (0.71")	125.0 (4.92")	165.0 (6.5")	20.0 (0.79")
	6G	DN80 PN16	8	18.0 (0.71")	160.0 (6.3")	200.0 (7.87")	20.0 (0.79")
	6H	DN80 PN40	8	18.0 (0.71")	160.0 (6.3")	200.0 (7.87")	24.0 (0.94")
	6J	DN100 PN16	8	18.0 (0.71")	180.0 (7.09")	220.0 (8.66")	20.0 (0.79")
	6K	DN100 PN40	8	22.0 (0.87")	190.0 (7.48")	235.0 (9.25")	24.0 (0.94")



Type	Facing thickness
ASME 150 lbs	2 mm (0.08")
ASME 300 lbs	2 mm (0.08")
ASME 600 lbs	7 mm (0.28")

### Detailed Ex-markings

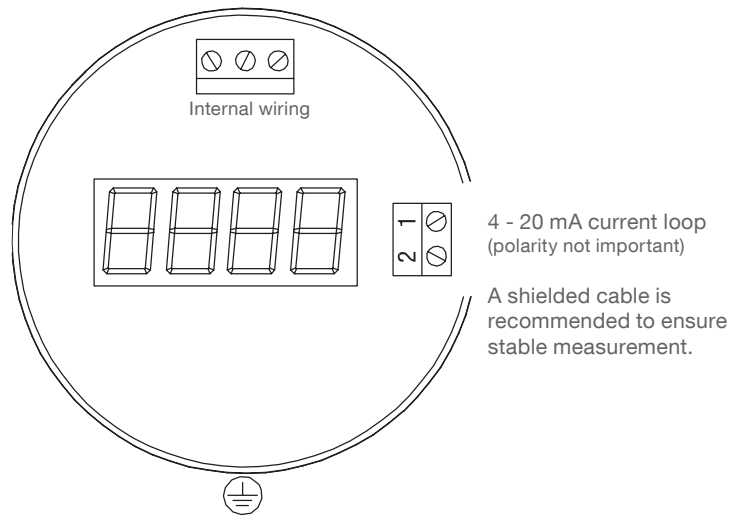
Code	Certificate	Protection method
Pos.2 T	ATEX II 1/2G ATEX II 1/2D	Ex ia/db [ia Ga] IIC T <sub>△</sub> Ga/Gb Ex ia/tb [ia Da] IIIC T <sub>△</sub> Da/Db
Pos.2 W	ATEX II 1/2D	Ex ia/tb [ia Da] IIIC T <sub>△</sub> Da/Db
Pos.2 U	FM/ CSA	XP-IS Class I, Div.1, Gr. A, B, C, D DIP-IS Class II, Div.1, Gr. E, F, G DIP-IS Class III T4
Pos.2 N	FM/ CSA	DIP-IS Class II, Div.1, Gr. E, F, G DIP-IS Class III T4
Pos.2 L	TR-CU	Ga/Gb Ex ia/d IIC T6...T2 X Ex ia/tb IIIC T <sub>200</sub> 80°C...T <sub>200</sub> 205°C Da/Db X
Pos.2 E	TR-CU	Ex ia/tb IIIC T <sub>200</sub> 80°C...T <sub>200</sub> 205°C Da/Db X
Pos.2 5	+Pos.20 a	INMETRO Ex ia/db [ia Ga] IIC T6...T2 Ga/Gb Ex ia/tb [ia Da] IIIC T* Da/Db
Pos.2 2	+Pos.20 a	INMETRO Ex ia/tb [ia Da] IIIC T* Da/Db
Pos.2 5	+Pos.20 b	KC Ex ia/d [ia Ga] IIC T* Ga/Gb Ex ia/tb [ia Da] IIIC T*°C Da/Db
Pos.2 2	+Pos.20 b	KC Ex ia/tb [ia Da] IIIC T*°C Da/Db

## Electrical installation

---

### Electrical installation

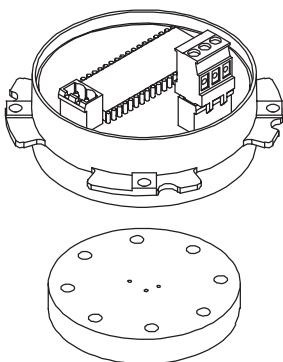
**Power supply/ signal output:**  
12 - 30 V DC  
2-wire current loop 4 - 20 mA  
max. resistance value 550  $\Omega$  @ 24 V DC



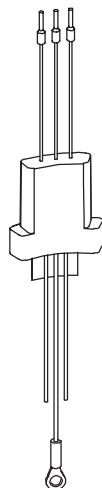
## Spare parts

Minimum order value for separate orders of spare parts or accessories is 75 €.	Fitting to model code	Spare part Article number	
<b>Electronic module</b>			
Electronic module 2-wire 4 - 20 mA	pos.4 A	pl440300	•
Internal Safety barrier (required for Ex approvals)	pos.4 A pos.2 T,W,U,N,D	pl440060	•
<b>Rope extension kit</b>			
1.4404 (SS316L), including fixing parts.			
"L"=1 m (39.4") Rope not PFA coated (rope can be shortened by customer)	pos.8 Z pos.9 2	zu440100	•
"L"=5 m (197") Rope not PFA coated (rope can be shortened by customer)	pos.8 Z pos.9 2	zu440110	•
"L"=10 m (394") Rope not PFA coated (rope can be shortened by customer)	pos.8 Z pos.9 2	zu440120	•
"L"=20 m (787") Rope not PFA coated (rope can be shortened by customer)	pos.8 Z pos.9 2	zu440130	•
"L"=1 m (39.4") Rope PFA coated (rope can <u>not</u> be shortened by customer)	pos.8 Z pos.9 3	zu440300	•
"L"=5 m (197") Rope PFA coated (rope can <u>not</u> be shortened by customer)	pos.8 Z pos.9 3	zu440310	•
"L"=10 m (394") Rope PFA coated (rope can <u>not</u> be shortened by customer)	pos.8 Z pos.9 3	zu440320	•
"L"=20 m (787") Rope PFA coated (rope can <u>not</u> be shortened by customer)	pos.8 Z pos.9 3	zu440330	•
<b>Rope weight</b>			
Single part, 1.4404 (SS316L), for use with rope versions (for not PFA coated rope only)	pos.8 Z pos.9 2	zu440350	•
<b>Mounting eye</b>			
Single part, 1.4404 (SS316L), for use with rope versions (for PFA coated rope only)	pos.8 Z pos.9 3 pos.18 x	zu440360	•

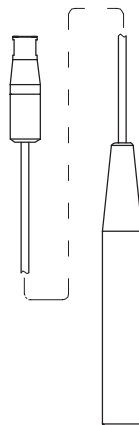
Electronic module



Internal Safety barrier



Rope extension kit



Rope weight



Mounting eye

